



# ELECTRIC FLEXION TABLE E9100

**EUROTECH**  
FEEL THE DIFFERENCE

Eurotech tables are specifically designed for the doctor who wants the ease and convenience of an electric flexion table that does more than simply flex up and down or laterally side to side. Our tables offer superior quality, excellent features, and one of the most affordable price tags in the market today.



Table Shown  
With Options

## CUSTOM TABLE OPTIONS TO FIT YOUR NEEDS

- E9102 Rear lateral flexion
- E9101 Front lateral flexion
- E9103 Axial rotation (*rear lateral flexion only*)
- E42000 Long axis distraction - administered via remote digital module this feature allows the doctor to administer long axis traction by distracting the pelvic section away from the center line as little as one eighth inch to as much as five inches.
- E41000 Cervical distraction headpiece - this feature allows the doctor to apply manual distraction and/or flexion to the cervical vertebrae.
- E45000 Electrically assisted manual flexion - this feature allows the doctor to use the electric flexion table as an electrically assisted manual flexion table giving the doctor complete control over the flexion.
- E43000 Elevation (15" of lift)
- E46000 Toggle headpiece (includes forward and straight drops)
- E2134 Flexion handle
- E2091 Extended height beyond 26" (in inch increments)
- E2093 Extended length for 4 drop combination
- E7101 Voltage step down transformer 220/240 - 120V
- Special width cushions 2" or 4" wider
- Drops: E4300 Cervical, E4301 Thoracic, E4302 Lumbar, E4303 Pelvic
- Air drops: E46100 (1), E46200 (2), E46300 (3)
- Snap covers



## E9100 BASE TABLE FEATURES

- Adjustable Face Cushions
- Extension / Flexion Headpiece
- Paper Roller, Cutter and Guide Bar
- Ankle Extension w/Elevation
- Handle Bars
- Break-Away Abdominal
- P-A Flexion (Electric)
- Variable Speed Control
- Flexion Timer
- Black Base
- Flexion Handle (Rear Flexion Only)
- Comfort Cushions
- SST Straps

## TABLE SPECIFICATIONS

Any table may be ordered from 21" to 26" as measured from the floor to top of cushions.

- Length 65"
- Extended 75"
- Ankle extension width 23"
- Pelvic cushion width 22"
- Thoracic/Lumbar cushion width 20"
- Cervical cushion width 16"
- Shipping Weight: 450 lbs
- Shipping Dimensions: 89" L x 31" W x 31" H



## E9110 BASE TABLE FEATURES

- Adjustable Face Cushions
- Extension / Flexion Headpiece
- Paper Roller, Cutter and Guide Bar
- Ankle Extension w/ Elevation
- Break-Away Abdominal
- Black Base
- Flexion Handle (Rear Flexion only)
- Comfort Cushions
- P-A Flexion (Manual)
- Handle bars
- SST Straps

## TABLE SPECIFICATIONS

Any table may be ordered from 21" to 26" as measured from the floor to top of cushions.

- Length 65"
- Extended 75"
- Ankle Extension width 23"
- Pelvic cushion width 22"
- Thoracic/Lumbar cushion width 20"
- Cervical cushion width 16"
- Shipping Weight: 400 lbs
- Shipping Dimensions: 89" L x 31" W x 31" H

Eurotech's Manual Flexion Adjusting and Manipulating Table allows optimum correction of spinal or disc problems yet, can still do double or triple duty as an exam, adjusting, or therapy table. This table allows the doctor to perform all ranges of spinal correction, flexion, extension and axial rotation. Eurotech tables include a sturdy base and frame system with contoured grips and a wide range of upholstery choices.



Table Shown  
With Options

## CUSTOM TABLE OPTIONS TO FIT YOUR NEEDS

- E9113 Front lateral
- E9112 Rear lateral flexion
- E9114 Axial Rotation
- E42000 Long axis distraction - administered via remote digital module this feature allows the doctor to administer long axis traction by distracting the pelvic section away from the center line as little as one eighth inch to as much as five inches.
- E41000 Cervical distraction headpiece - this feature allows the doctor to apply manual distraction and/or flexion to the cervical vertebrae.
- E43000 Elevation (15" of lift)
- E46000 Toggle headpiece (includes forward and straight drops)
- E2134 Flexion handle
- E2091 Extended height beyond 26" (in inch increments)
- E2093 Extended length for 4 drop combination
- E7101 Voltage step down transformer 220/240 - 120V
- Special width cushions 2" or 4" wider
- Drops: E4300 Cervical, E4301 Thoracic, E4302 Lumbar, E4303 Pelvic
- Air drops: E46100 (1), E46200 (2), E46300 (3)
- Snap covers



# FLEXION TABLE ERGOSTYLE™ FX



Table Shown  
With Options

## COUNTERBALANCED FLEXION

ErgoStyle™ FX Counterbalanced Flexion addresses the core needs of chiropractors. The ErgoStyle™ FX table is a sophisticated table that offers full, ultra smooth counterbalanced flexion at its lowest height (19") and quietly elevates to its full height of 32". The new design offers infinitely variable electric spring tension distributed in such a way to allow for fingertip effort in moving the caudal section in any direction.

## UPGRADE TO AUTO-COCKING

ES5822 (115v) ES5823 (230v)

The patented Accelerator™ III Auto-Cocking Drops feature infinitely adjustable Speed Control for drop cocking. Includes Thoracic, Lumbar and Pelvic sections. All sections include manual cocking handles.\* (Patent# 7,381,214 B1)

*\*Please note: When upgrading to Auto-Cocking, all three drops (thoracic, lumbar and pelvic) must be purchased together. Auto-Cocking on a single drop is not available.*



## CUSTOM TABLE OPTIONS TO FIT YOUR NEEDS

- ES58491 **Upgrade to AutoFlexion** - In the automatic mode, complete control of manual flexion and reproduction is maintained.



- All critical information is displayed on the digital interface control:
  - » **Range** - displays actual degrees of flexion and extension in real time
  - » **Speed** - variable from 0.5°/second to 6.5°/second.
  - » **Timer** - 1-59 minutes
  - » **Display** - Flexion degrees, extension degrees, time, speed and angle.
- Auto Set feature that logs minimum and maximum angles set manually and reproduces in Auto Flexion mode. Speed, time and angles are adjustable during treatment.

- Patented Accelerator™ III Manual Cocking Drops provide faster acceleration with increased tension. Available for Lumbar (ES58354), Pelvic (ES58355) and Thoracic (ES58353) sections and can be added at purchase or as a future upgrade. (Patent #6,679,905)



### • FX Headpiece Options

- ES58472 Tilt & Elevation, Forward & Toggle Drop w/Adjustable Face Cushions
- ES58473 Tilt & Elevation w/ Adjustable Face Cushions
- ES58475 Tilt, Stationary Forward Drop w/Adjustable Face Cushions
- ES58476 Tilt, w/Adjustable Face Cushions

### • Chest Piece Options

- ES58359 Breakaway Chest w/Single Side Control
- ES58362 Breakaway Chest w/Dual Side Control

### • Drop Options

- ES58353 Thoracic Manual Drop
- ES58354 Lumbar Manual Drop
- ES58355 Pelvic Manual Drop

### • Auto-cocking Foot Control Option

- ES95457 Double Auto-cocking Foot Control

### • Elevation Foot Control Options

- ES95456 Double Elevation Foot Control

### • Tension Foot Control Options - Manual Flexion Only

- ES58439 Double Tension Foot Control

### • T-Bar Handle Options

- ES58429 T-Bar Handle, Short
- ES58430 T-Bar Handle, Long

### • Miscellaneous Options

- E7070 Super Silent 20 Amp Compressor



**ES5820** (115V)  
WITH MANUAL DROPS

**ES5821** (230V)  
WITH MANUAL DROPS



## ERGOSTYLE™ FX BASE TABLE FEATURES

- Electric Elevation from 19" to 32" with single foot control and expanding covers over lifting mechanism
- Speed: 19" to 32" in 13 seconds
- Manual flexion/distraction with variable electric spring tension allows smooth, counterbalanced flexion, extension or circumduction with the touch of a finger (flexion 15°, extension 12°, side bending 40° total)
- Tilting headpiece with fixed face cushions
- Extending self-locking ankle rest with ankle cuffs
- Modular design for future upgrades
- 23.5" width seamless cushions with multi-density foam
- Powder coated for durability

## TABLE SPECIFICATIONS

- Lift Capacity: 400 lbs
- Table Length: 69.5" to 76"
- Voltage: 100V - 240 V
- Frequency: 50/60 Hz
- Shipping Weight: 460 lbs
- Shipping Dimensions: 89" L x 31" W x 31" H



# VARIABLE HEIGHT / ELEVATION ERGOSTYLE™ ES2000



Table Shown  
With Options

## ADJUSTING TREATMENT TABLE

ErgoStyle™ ES2000 changes how all adjusting tables are viewed. Its modular design allows for quick modifications and upgrades in the field. Upgrades can be added later as your techniques and practice grow.



## CUSTOM TABLE OPTIONS TO FIT YOUR NEEDS

- Patented modular Accelerator™ II Manual and Auto-Cocking drop design provides faster acceleration with increased tension and future upgradeability (Patent # 6,679,905)
- Break-away elevating chest with infinite locking capability and single or dual side control assures proper patient “fit”
- **ES2000 Headpiece Options**
  - ES95004 Tilt, Elevation, Forward Drop, Toggle Drop, Adjustable Face cushions
  - ES95003 Tilt, Elevation, Adjustable Face Cushions
  - ES95002 Tilt, Forward Drop, Adjustable Face Cushions
  - ES95001 Tilt With Adjustable Face Cushions
- **Chest piece Options**
  - ES95005 Breakaway, Elevating Chest
  - ES95408 Auto-Cocking Breakaway/Elevation Chest
- **Drop options**
  - ES95006 Thoracic Drop
  - ES95007 Lumbar Drop
  - ES95008 Pelvic Drop
- **Pelvic Options**
  - ES95009 Elevating Pelvic Section
- **Auto-Cocking foot Control Options**
  - Dual Auto-Cocking Foot Control - *Standard when Auto-Cocking Drops are Ordered*
- **Elevation Foot Control Options**
  - ES95456 Dual Foot pedal Elevation
- **Miscellaneous Options**
  - E7070 Super Silent 20 Amp Compression
  - RhinoHyde Vinyl Upholstery

## UPGRADE TO AUTO-COCKING ES9200(115V) ES9210(230V)

The patented Accelerator™ II Auto-Cocking Drops feature infinitely adjustable Speed Control for drop cocking. Includes Thoracic, Lumbar and Pelvic sections.  
(Patent# 7,381,214 B1)

*\* Please note: When upgrading to Auto-Cocking, all three drops (thoracic, lumbar and pelvic) must be purchased together. Auto-Cocking on a single drop is not available.*



## ES9150 STATIONARY TABLE

- HEIGHT OPTION 20" ES95501
- HEIGHT OPTION 22" ES95502
- HEIGHT OPTION 24" ES95503

**ES9100** (115V)  
ELEVATING TABLE, HEIGHT RANGE 20" - 32"

**ES9110** (230V)  
ELEVATING TABLE, HEIGHT RANGE 20" - 32"

**ES9200** (115V)  
ELEVATING TABLE, WITH AUTO-COCKING  
HEIGHT RANGE 20" - 32"  
INCLUDES THORACIC, LUMBAR & PELVIC DROPS

**ES9210** (230V)  
ELEVATING TABLE, WITH AUTO-COCKING  
HEIGHT RANGE 20" - 32"  
INCLUDES THORACIC, LUMBAR & PELVIC DROPS

## ERGOSTYLE™ ES2000 BASE TABLE FEATURES

- Electric Elevation from 20" to 32" in 10 seconds with single foot control and expanding covers over lifting mechanism
- Tilting headpiece with fixed face cushions
- 22" (56 cm) width seamless cushions with multi-density foam
- Paper Roll Holder and Cutter
- Extending Ankle Rest
- Powder coated finish

## TABLE SPECIFICATIONS

- Rated Voltage: 120 V/230 V
- Rated Frequency: 60 Hz/50 Hz
- Current: 2.7 Amp
- Fuses: 1.6 Amp
- Electrical Class: Class 1, Type B
- Duty Cycle: Intermittent-Max:
- 1 Minute On, 9 Minutes Off
- Lifting Capacity: 400 lbs
- Shipping Weight: 410 lbs
- Shipping Dimensions: 89"L x 31"W x 31"H



# STATIONARY TABLE E9130

Eurotech's stationary tables represent a new generation of affordable tables that can handle every chore in your office from adjusting to therapy to exams. The base table includes nearly every feature as standard equipment. Eurotech's tables are built to last and will give you many years of superior and affordable service.



Table Shown  
With Options

## EUROTECH FEEL THE DIFFERENCE



### E9130 BASE TABLE FEATURES

- Adjustable Face Cushions
- Extension / Flexion Headpiece
- Paper Roller, Cutter and Guide Bar
- Ankle Extension w/ Elevation
- Black Base
- Comfort Cushions

### CUSTOM TABLE OPTIONS

- E46000 Toggle Head Piece (Forward & Straight Drops)
- E43000 Elevation (15" of lift)
- E4300 Cervical Drop
- E4301 Thoracic Drop
- E4302 Lumbar Drop
- E4303 Pelvic Drop
- Snap Covers
- Special Width Cushions 2" or 4" Wider
- Extended Height Beyond 26" (in inch increments)
- Extended Length for 4 Drop Combination
- Voltage Step Down Transformer 220/240 - 120V

### TABLE SPECIFICATIONS

Any table may be ordered from 21" to 26" as measured from the floor to top of cushions.

- Length 65"
- Extended 75"
- Ankle extension width 23"
- Pelvic cushion width 22"
- Thoracic/Lumbar cushion width 20"
- Cervical cushion width 16"
- Shipping Weight: 380 lbs
- Shipping Dimensions: 89" L x 31" W x 31" H

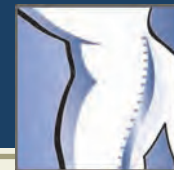
## VARIABLE HEIGHT/ELEVATION

# E43000

### W/ELEVATION OPTION

Looking for an affordable elevating drop table? Look no further!





### E9012 BASE TABLE FEATURES

- Adjustable Face Cushions
- Extension / Flexion Headpiece
- Paper Roller, Cutter and Guide Bar
- Ankle Extension w/ Elevation
- Adjustable Abdominal
- Comfort Cushions
- Hand Cocking Drops

### CUSTOM TABLE OPTIONS

- E9012-W White Base
- E43000 Elevation (8" of lift)
- E4300 Cervical Drop
- E4301 Thoracic Drop
- E4302 Lumbar Drop
- E4303 Pelvic Drop
- E4403 Thoracic Foot Cocking Drop
- E4405 Lumbar Foot Cocking Drop
- E4407 Pelvic Foot Cocking Drop
- Snap Covers
- Special Width Cushions 2" or 4" Wider
- Extended Height Beyond 26" (in inch increments)
- Voltage Step Down Transformer 220/240 - 120V

### TABLE SPECIFICATIONS

Any table may be ordered from 18" to 26" as measured from the floor to top of cushions.

- Length 65"
- Extended 75"
- Ankle extension width 24"
- Pelvic cushion width 22"
- Thoracic/Lumbar cushion width 20"
- Cervical cushion width 15"
- Shipping Weight: 350 lbs
- Shipping Dimensions: 89" L x 31" W x 31" H

The Trademark Stationary is an affordable alternative for a growing practice. With its impressive list of standard features, this table is an excellent choice for a starter table. The Trademark table is a low priced table that offers the same high quality construction as other Pivotal Health Solution's tables.



Table Shown  
With Options

## VARIABLE HEIGHT/ELEVATION

# E43000

### W/ELEVATION OPTION

Elevation options include:  
18"-26", 21"-29" or 24"-32"

The Trademark with  
elevation has 8" of lift  
for patient convenience  
and doctor comfort.





# VARIABLE HEIGHT / ELEVATION VH2000/VH2001

The Variable Height VH-2000 and VH-2001 tables are some of the most reliable exam/treatment tables available. A quiet, powerful, all electric actuator gives a height range of 21" - 33". The telescoping side panels keep all working mechanisms hidden away. Compare our standard features and unmatched quality and you'll decide the VH-2000 and VH-2001 are worth the investment.



VH-2001  
Table Shown  
With Options



VH-2000  
Table Shown  
With Options

## EUROTECH

FEEL THE DIFFERENCE



### VH2001 BASE TABLE FEATURES

- Tilting headpiece
- Adjustable length and height ankle cushion
- Variable height (21" - 33")
- 3" foam top
- Electric actuator motor

### VH2001 CUSTOM TABLE OPTIONS

- VH-CD-M Cervical manual drop - forward
- VH-TD-M Thoracic manual drop
- VH-PD-M Pelvic manual drop
- VH-ADM Admiral upholstery
- Special width cushions (3" wider)

### VH2001 TABLE SPECIFICATIONS

- Length: 68" - 82"
- Width: 23" or 26"
- Weight: 250 lbs
- Lifting Capacity: 350 lbs
- Shipping Weight: 350 lbs
- Shipping Dimensions: 89" L x 31" W x 31" H

### VH2000 BASE TABLE FEATURES

- Variable height (21" - 33")
- Seamless padded face opening
- 3" foam top
- Electric actuator motor

### VH2000 OPTIONS

- VH-ADM Admiral upholstery
- Special width cushions (3" wider)

### VH2000 TABLE SPECIFICATIONS

- Length: 68" - 82"
- Width: 23" or 26"
- Weight: 250 lbs
- Lifting Capacity: 350 lbs
- Shipping Weight: 350 lbs
- Shipping Dimensions: 89" L x 31" W x 31" H



**TR6640** (230v)  
MODEL NUMBER

**TR6630** (115V)  
MODEL NUMBER



### TRE-CH3 TABLE FEATURES

- Electric elevation from 20" - 37.5"
- Tilting headpiece
- Paper roll holder and cutter
- Extending ankle rest

### TRE-CH3 OPTIONS

- TR62358 Foot switch (pneumatic)
- TR62357 Hand switch (pneumatic)

### TABLE SPECIFICATIONS (230v)

- Motor Hanning L73
- Rated Voltage: 230v
- Rated Frequency: 50Hz
- Current: 3 Amp, 345 Watts
- Output Force: 6000N
- Output Speed: 10mm/sec
- Duty Cycle: 255 On, 300 Off

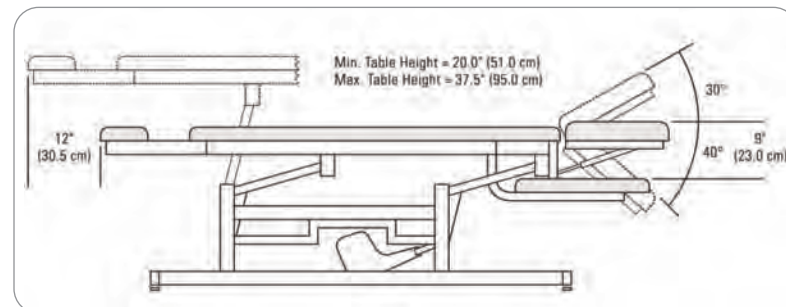
### TABLE SPECIFICATIONS (115V)

- Motor Hanning L73
- Rated Voltage: 115v
- Rated Frequency: 60Hz
- Current: 3Amp, 345 Watts
- Output Force: 6000N
- Output Speed: 10mm/sec
- Duty Cycle: 255 On, 300 Off
- Length: 71" - 76"
- Width: 23"
- Lifting Capacity: 300 lbs
- Shipping Weight: 235 lbs
- Shipping Dims: 89" L x 31" W x 31" H

The TRE-CH3 elevating treatment table is suited for professionals looking for affordability and versatility. Beautifully constructed with a white powder coat finish, the TRE-CH3 can be used in several applications. Whether you are looking for an exam or treatment table, the TRE-CH3 offers the versatility you need in a growing practice.



Table Shown  
With Options





# HYLO ERGOSTYLE™ HYLO

## REINVENTING THE ADJUSTING TABLE

ErgoStyle™ HYLO is a revolutionary adjusting table with many standard features previously considered upgrades. Improved ergonomics include: bilateral control placement, powered front and pelvic sections, free falling Accelerator™ III Drops, gas spring assist on headpieces, chest and pelvic cushions.



### TABLE SPECIFICATIONS

- Table weight: 405 lbs
- Table Dimensions: 54" - 83"
- Rated Voltage: 115/230 V
- Rated Frequency: 50/60 Hz
- Current: 4.8/5.8 A
- Electrical Class: Class 1, Type B
- Duty Cycle: 10%
- Pump Type: Hydraulic Gear Pump
- Lifting Capacity: 400 lbs
- Shipping Weight: 540 lbs
- Shipping Dimensions: 89" L x 31" W x 31" H



Table Shown  
With Options

## CUSTOM TABLE OPTIONS TO FIT YOUR NEEDS

- **Headpiece Options**
  - ES95001 Tilt With Adjustable Face Cushions
  - ES95002 Tilt, Forward Drop, Adjustable Face Cushions
  - ES95003 Tilt, Elevation, Adjustable Cushions
  - ES95004 Tilt, Elevation, Forward and Toggle Drops, Adjustable Face Cushions
- **Chest Piece Options**
  - EH95709 Break-away elevating chest with infinite locking capability and single or bilateral side control assures proper patient "fit"
- **Chest Control Options**
  - EH95742 Dual side control for Breakaway/Elevating Chest
- **Drop Options**
  - ES58353 Thoracic Manual Drop
  - EH95734 Lumbar Manual Drop
  - ES58355 Pelvic Manual Drop
- **Pelvic Options**
  - EH95714 Elevating pelvic section with single or bilateral controls and gas spring assist for ease of use
  - EH95745 Elevating Pelvic Dual side control
- **Auto-cocking Foot Control Options**
  - ES95457 Auto cocking dual pedal
- **Elevation Foot Control Options**
  - ES95456 Dual Foot Tilt Control / Hyl0
- **Miscellaneous Options**
  - E7070 Super Silent 20 Amp Compressor

## UPGRADE TO AUTO-COCKING

**EH9530** (115V)

**EH9540** (230V)

The patented Accelerator™ III Auto-Cocking Drops feature infinitely adjustable Speed Control for drop cocking. Includes Thoracic, Lumbar and Pelvic sections. All sections include manual cocking handles. (Patent #7,381,214 B1)

*Please note: When upgrading to Auto-Cocking, all three drops (thoracic, lumbar and pelvic) must be purchased together. Auto-Cocking on a single drop is not available.*



**EH9510** (115V)

**EH9520** (230V)

**EH9530** (115V)

WITH AUTO-COCKING  
INCLUDES THORACIC, LUMBAR & PELVIC DROPS

**EH9540** (230V)

WITH AUTO-COCKING  
INCLUDES THORACIC, LUMBAR & PELVIC DROPS

## ERGOSTYLE™ HYLO BASE TABLE FEATURES

- Fixed table height: 23.5"
- Tilting degrees: 0 to 63 degrees
- Tilting mechanism: Gear drive hydraulics with a "soft stop" in the down position
- Constant flow electronics allow a constant tilt speed with Automatic Weight Compensation regardless of patient's weight and height
  - Tilt speed Up: 9 seconds
  - Tilt speed Down: 11 seconds
- 23.5" seamless cushions with multi-density foam
- Powered front and rear sections allow full power adjustment of table length
  - Powered chest extension: Extends 14.5"
  - Powered pelvic extension: Extends 14.5"
- Single side controls to power chest and pelvic extension
- Table length adjustment: 54" - 83"
- Footplate: Foldaway
- Ankle Rest: Fixed position
- Controlled safety system: 2 step tilt down control
- Improved ergonomics that include bilateral control placement, handle design, free falling accelerating drops and gas spring assist on headpieces and drops
- Powder coated for durability
- Patented Accelerator™ III Manual Cocking Drops (Patent# 6,679,905)